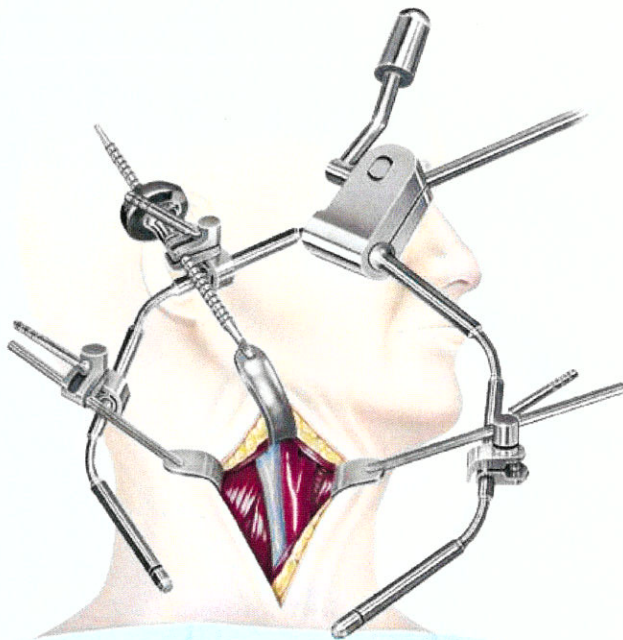
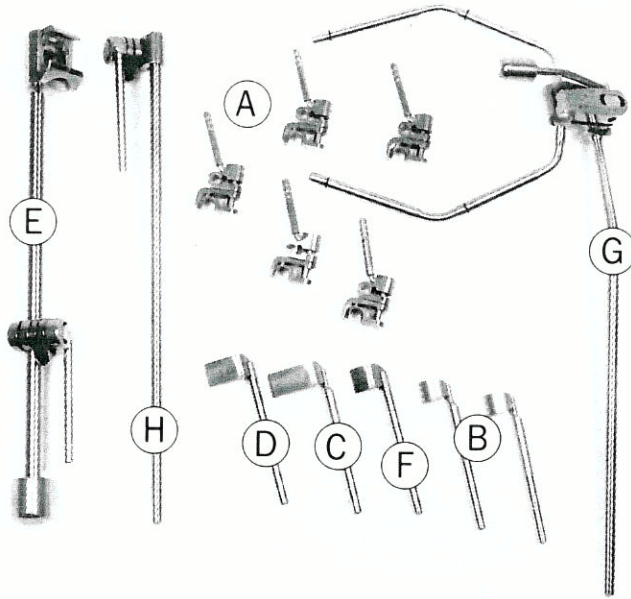


Omni-Flex™



Your Patient.
Your Approach.

Product Specifications



A	5	4040	Snap-Clamp
B	2	4957	Rake Retractor (2,2 cm x 2,5 cm)
C	1	4961	Richardson Retractor, schwenkbar(2,5 cm x 5 cm)
D	1	3105	Richardson Retractor, schwenkbar (2,5 cm x 3,8 cm)
E	1	4080	Omni-Clamp Sterile Field Post (50 cm)
F	1	4960	Richardson Retractor, schwenkbar
G	1	4985	Omni-Tract Small Wishbone
H	1	4988	Perineal Extensionsarm (50,8 cm)



4849 White Bear Parkway, St. Paul, MN 55110 USA
 800-367-8657 • 651-287-4300 • fax: 651-287-4400
www.omni-tract.com

© 2006 Omni-Tract Surgical
 All Rights Reserved.

U.S. Patent Nos. 4,355,631; 4,617,916; 4,718,151; 4,930,932; 4,949,707;
 5,020,195; 5,242,240; 5,380,338; 5,400,772; 5,688,223; 5,727,899;
 5,792,046; 5,882,298; 5,899,627; 6,264,396; 6,315,718; 6,663,563,
 D343,235; Other Patents Pending. Omni-Flex and SideSnap are trademarks,
 Omni-Tract and WISHBONE are registered trademarks of Minnesota Scientific, Inc.



9-06/40-6153/5000